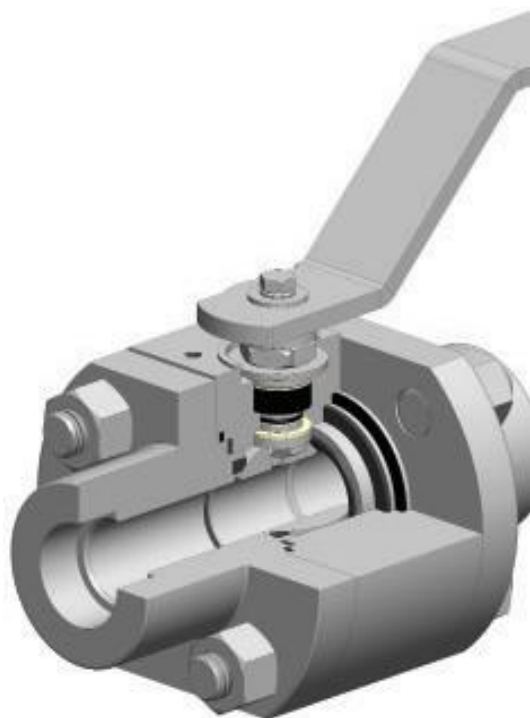


HF Series

CI900 (PN150)
DN 2" to 3" FB DN 2½" to 4" RB
CI1500 (PN250)
DN ½" to 1½" FB DN ¾" to 2" RB
CI2500 (PN420)
DN ½" to 1½" FB DN ¾" to 2" RB
ASME Pressure Ratings

Connections	Threaded BSPT; NPT Socketweld B16.11
	Buttweld Sch.40 to XXS Nipples
General Features	3 Piece Bolted Construction Floating Ball Top Flange ISO 5211 Fire Safe and Antistatic Temperature range -29° up to + 260°C



	Materials	
	Standard	Optional
Body / Ends	Carbon Steel A105N A350 LF2	Duplex A182 F51 (S31803)
	Stainless Steel A182 F316-316L A182 F304-304L	Super Duplex A182 F53 (S32750) A182 F55 (S32760)
Ball	F316/CF8M F304/CF8	AISI 410/CA15 A182 F51; F53; F55
Seats	DEVLON	PEEK; DELRIN
Packing / Seals	GRAPHITE	TFM; RPTFE
Bolting	A193 Gr. B7 A193 Gr. B8M	A193 Gr. B7M A320 Gr. L7; A320 Gr. L7M

Other materials : LF3; F44; INCONEL; MONEL; TITANIUM

Options

ASME and DIN Flanged Ends

