

Manometro per EN 837-1 S3

Serie BA45../BA46..



Area di applicazione

- Costruzione di macchine
- Industria chimica e petrolchimica
- Tecnologia generale di processo
- Acqua/ acque reflue
- Industria navale

Caratteristiche

- Cassa di alta qualità con anello a baionetta NS 100/160 per EN 837-1 S1
- Range nominali -0.6...0 bar a -1...24 bar, 0...0.6 a 0...1600 bar
- Cassa ed elemento di misura in acciaio inossidabile
- Grado di protezione IP 65
- Classe di accuratezza 1.0 o 1.6 per EN 837-1

Opzioni

- Approvazioni/certificati
 - Protezione antideflagrante (ATEX) per dispositivi meccanici
 - Certificato di strumenti di misurazione per la Federazione Russa
 - Certificato del materiale per EN 10204
 - Certificato di calibrazione per EN 10204
- Smorzamento del movimento
- Dispositivo di contatto elettrico, vedere la scheda tecnica D3-025 (a seconda del progetto)
- Sensore di angolo di rotazione elettronico, tipo serie PL1100, vedere la scheda tecnica D6-020
- Montaggio: flangia frontale per montaggio ad incasso
- Intervallo di temperatura esteso
- Connessione alla zona 0
- Custodia con riempimento di liquido e grado di protezione IP 66
- Ossigeno privo di olio e grasso
- Dichiarazione EAC (su richiesta)

Applicazione

Il manometro EN 837-1 è stato progettato per l'uso in varie applicazioni. Questa versione in acciaio inossidabile di alta qualità è adatta al servizio nell'industria chimica, petrolchimica e alimentare per la misurazione di fluidi gassosi, liquidi e aggressivi. La custodia di sicurezza offre una maggiore protezione dell'operatore..

Per tutti gli altri manometri conformi a EN 837-1 prego prendere contatti con mca@mcastrumenti.it

Technical data

Constructional design / case

Design:	High quality safety case with blow-out back and solid baffle wall per EN 837-1 S3, material: stainless steel mat.-no. 1.4301 (304), pressure compensation diaphragm: silicone, filling plug, material: PUR
Nominal size:	NS 100 or NS 160
Degree of protection per EN 60529:	Without case filling: IP 65 <ul style="list-style-type: none"> ■ With case filling: IP 66
Case filling:	Option: Glycerine-water Further liquid fillings upon request.
Pressure compensation:	To atmosphere via internal pressure compensation diaphragm
Case seal:	Material gasket: NBR
Window:	Non-splintering laminated glass. Option: Non-splintering plastic (Macrolon)
Measuring element:	Bourdon tube < 60 bar: c-type ≥ 60 bar: spiral
Movement:	Stainless steel segment optional: movement with integrated damping system
Scale:	Pure aluminium, white with black inscription. Option: with red marking, special scale upon request.
Pointer:	Pure aluminium, black. Option: with micro adjustment for zero point correction.
Mounting:	Stand-alone, upon request for flush mounting with DIN mounting flange
Weights:	NS 100 without filling: approx. 0.7 kg NS 160 without filling: approx. 1.3 kg NS 100 with filling: approx. 1.0 kg NS 160 with filling: approx. 2.5 kg

Process connection

Design:	Per EN 837-1, G1/2 B, 1/2" NPT or M20 x 1.5; bottom connection. Further process connections upon request.
---------	---

Material wetted parts

Measuring element:	Bourdon tube and shanks stainless steel mat.-no. 1.4571 / 1.4404 (316Ti / 316L)
--------------------	---

Nominal range

See order details, further ranges upon request

Overload-protection:	standard: 1.3 times higher overload protection see order details
----------------------	---

Accuracy

Accuracy class:	1.0 per EN 837-1 (for nominal ranges < 1000 bar)
-----------------	---

1.6 per EN 837-1
(for nominal ranges ≥ 1000 bar)

Temperature influence:	Max. ± 0.4% / 10K of measuring span per EN 837-1
------------------------	--

Temperature ranges



	without filling	with filling
Ambient:	-20...70 °C	-20...60 °C
Media: ¹	-40...200 °C	-40...200 °C
Storage:	-20...70 °C	-20...60 °C

Extended temperature range for mr < 200 bar (optional):

	without filling	with filling
Ambient:	-40...100 °C	-40...60 °C
Media:	-40...200 °C	-40...200 °C

¹ Nominal range ≤ 1 bar up to 100 °C

Tests and certificates

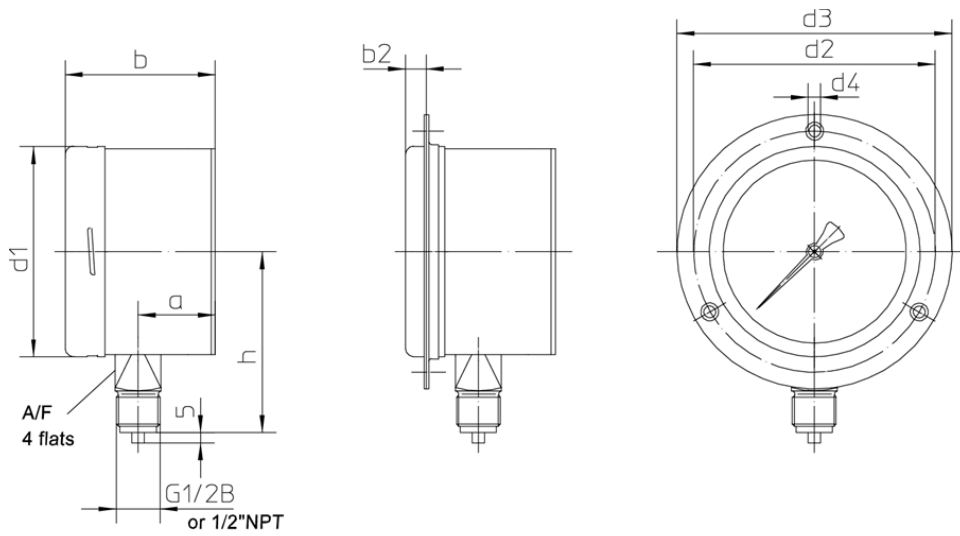
Explosion protection:	Ex-protection (ATEX) for mechanical devices  
-----------------------	---

Further details see Ex Instructions XA_005.

- EAC declaration (upon request)
- Certificate of measuring equipment for Russian Federation

Information on other models see order details or upon request.

Dimensioni



Standard design

for flush mounting

flush mounting view



Mounting instruction: Ensure full space requirement for operation with rear blow-out device of case!

dimensions (mm)											
case	d1	a	a1	b	b1	b2	h	d2	d3	d4	A/F
NS 100	100	37	39	72	74	10	87	116	132	4,8	22
NS 160	160	47	49	82	84	10	117	178	196	5,8	22

Dettagli ordine

Bourdon tube pressure gauge safety pattern gauge per EN 837-1 S3, Type series BA45../BA46..

Order details BA45../BA46..			
BA4500	Safety case S3	NS100	process connection bottom
BA4540			IP 66 process connection bottom with case filling
BA4600		NS 160	process connection bottom
BA4640			IP 66 process connection bottom with case filling
A2...	process connection	G1/2 B	
B2...		1/2" NPT	
C2...		M 20 x 1.5	
085	nominal range [bar]	-0.6...0	
086		-1...0	
087		-1...0.6	
088		-1...1.5	
089		-1...3	
090		-1...5	
091		-1...9	
092		-1...15	
093		-1...24	
052		0...0.6 ¹	
053		0...1	
054		0...1.6	
055		0...2.5	
056		0...4	
057		0...6	
058		0...10	
059		0...16	
060		0...25	
061		0...40	
062		0...60	
063		0...100	
064		0...160	
065		0...250	
066		0...400	
068		0...600	
070		0...1000 ²	
071		0...1600 ²	

Additional features (to be indicated if required)		
S30	Ex-protection (ATEX) for mechanical devices gauges ³	 II 2G Ex h IIC T1...T6 Gb X  II 2D Ex h IIC Txx°C Db X
H2	overload protection	2 times (measuring range 1...4 bar)
H3		2 times (measuring range 6...40 bar)
H4		1.5 times (measuring range 60...160 bar)
I2	pointer	with micro adjustment
R2	window	non-splintering glass with maximum pointer
R3		non-splintering glass with adjustable reference pointer ⁴
R12		Macrolon with maximum pointer ⁵
R13		Makrolon with adjustable reference pointer ⁵
T2	marking	on scale (please specify)
T3		fixed reference pointer (please specify)
U2	restrictor screw	restrictor screw 0.3 mm
U3		restrictor screw 0.6 mm
U4		restrictor screw 1.0 mm
V3	mounting	front flange for flush mounting
W1020	material certificate	per EN 10204-3.1, wetted parts
W1204	calibration certificate	per EN 10204-3.1, 3 measuring points
W1201		per EN 10204-3.1, 5 measuring points
W2673	certificate of measuring equipment for Russian Federation ⁵	
W4001	oxygen free of oil and grease	
W4090	extended temperature range	
W4102	damping of movement	with integrated damping system
Z1	connection to Zone 0 ⁶	with Zone 0 adapter (coupling element KF6)

Order code (example): BA4540 – C2087 - ...

¹ NS 100 without DIN and class specification

² accuracy class 1.6 as per EN 837-1

³ for devices with non-splintering glass only

⁴ NS 100 only

⁵ not for devices with Ex-protection

⁶ for devices with Ex-protection only